

JEL FlowStop

► JEL FlowStop

JEL FlowStop ensures the contamination-free filling of big bags. Trickle protection prevents the contamination of staff and machine parts owing to product trickling out and, in the design with positioners, allows for continuous metering.

► Operation

During or after the end of the filling process, both halves of the protective flap close. Trickling of product from the feed tube is thus prevented. The intake nozzle of the big bag to be filled is held and fixed by the integrated blowing collar. Optionally equipped with positioners, the JEL FlowStop can also be used as a continuous metering unit.

► Machine equipment

The JEL FlowStop trickle protection can be manually or automatically operated.

► Areas of application

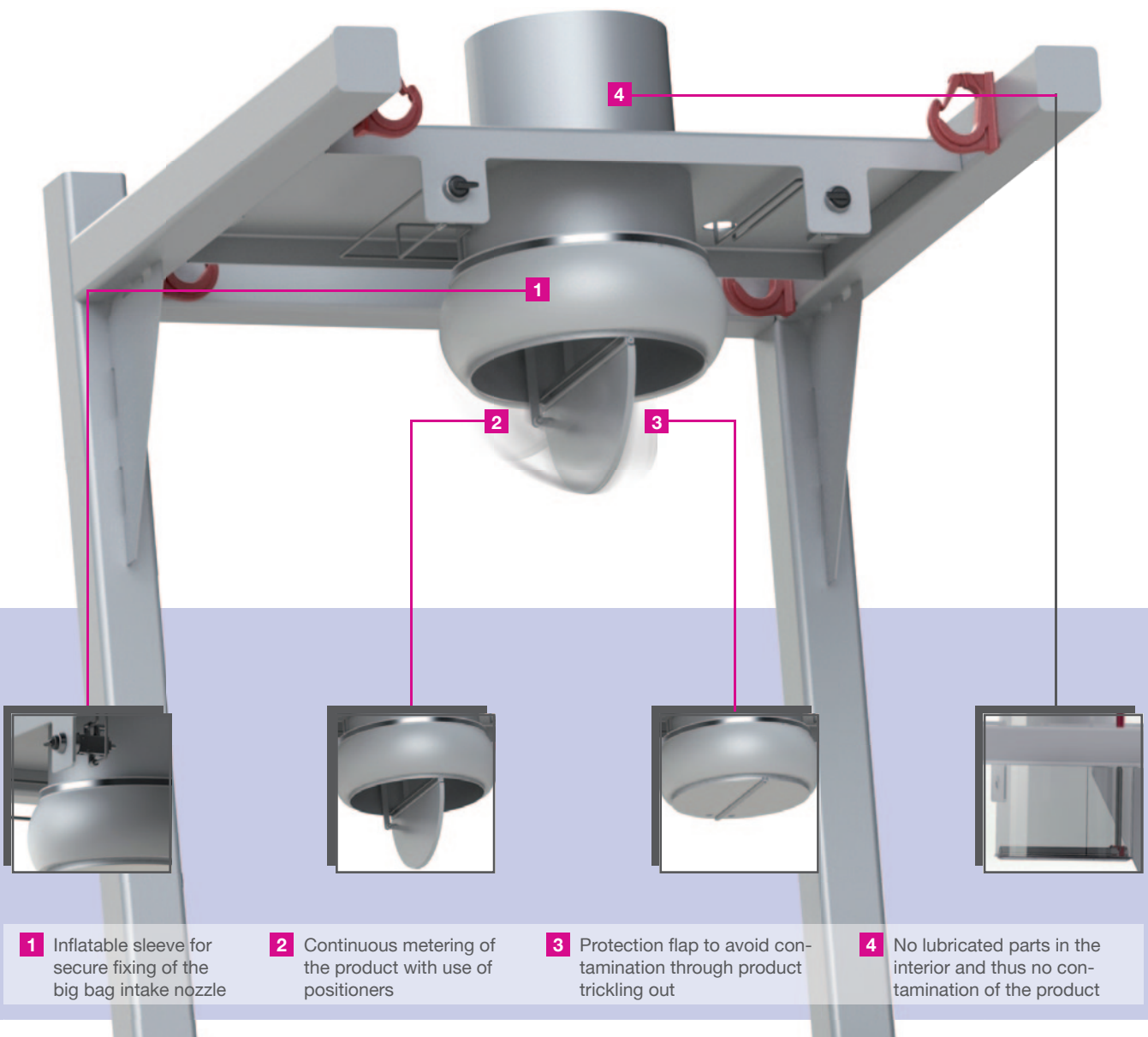
Chemicals	Plastics	Pharmaceuticals	Foodstuffs	Similar industries
●	●	○	●	●

► Bulk solids

Grainy	Powdery	Finely powdered	Fatty	Granular
●	●	●	○	●

► Big bag applications

Big bag filling	Big bag emptying
●	○



1 Inflatable sleeve for secure fixing of the big bag intake nozzle

2 Continuous metering of the product with use of positioners

3 Protection flap to avoid contamination through product trickling out

4 No lubricated parts in the interior and thus no contamination of the product

BIG BAG FILLING | JEL FlowStop

JEL FlowStop

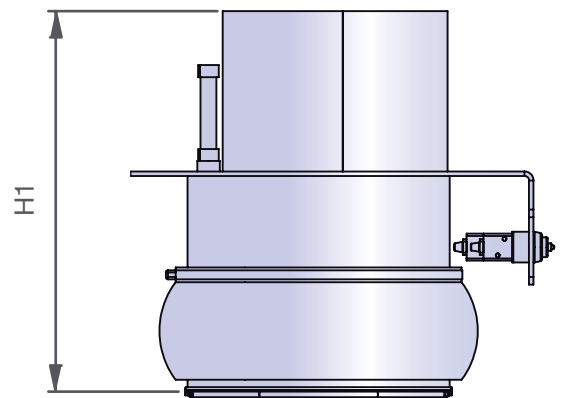
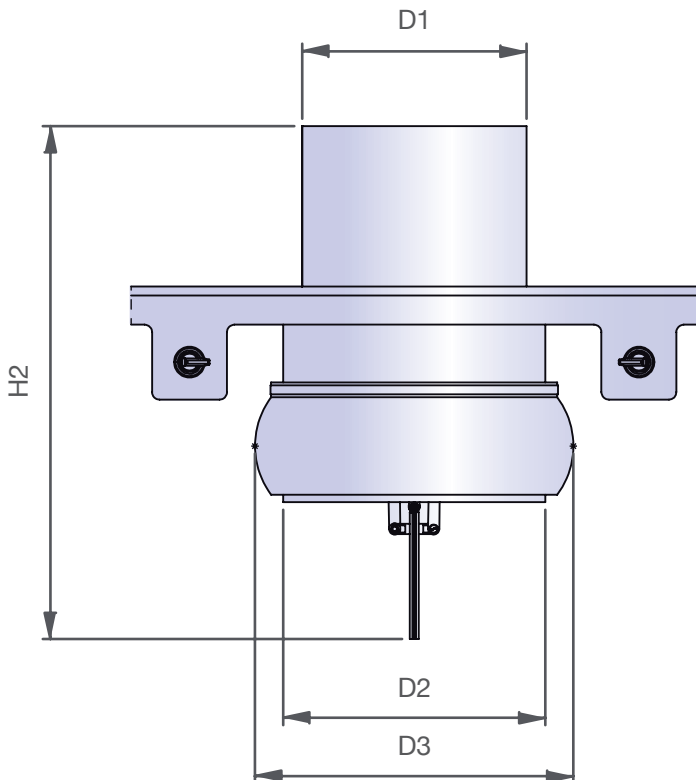
► Design

- Stainless steel material
- Optionally available in CiP design
- Aspiration connection available upon request
- Also available with tri-clamp nozzle
- Pneumatic or manual operation possible

► Technical details

DIMENSIONS [mm]

Type	D1	D2	D3	H1	H2
JEL FlowStop 200	200	250	325	508	635
JEL FlowStop 250	250	300	375	508	660
JEL FlowStop 300	300	350	425	508	685
JEL FlowStop 350	350	400	475	508	710



► Your contact person

Do you still have questions or would you like a non-binding price quotation? Then simply contact our team of experts.



Waldemar Gischa

Big bag plants
Phone +49(0)621 59002-17
Fax +49(0)621 59002-550
gischa@engelsmann.de

J. Engelsmann AG

Frankenthaler Str. 137-141
D-67059 Ludwigshafen
info@engelsmann.de
www.engelsmann.com



Information JEL FlowStop

Convincing facts

- ✓ No product contamination of staff or downstream machine parts
- ✓ Also usable as a continuous metering unit with the use of positioners
- ✓ No contamination of the product thanks to a lack of lubricated parts in the interior
- ✓ Reduced need for maintenance due to a small number of wear parts
- ✓ Suitable for use with pharmaceuticals and foodstuffs
- ✓ Upgradeable independently of the type of plant installed