

Long-Stroke Screening Machine

JEL Freischwinger



► JEL Freischwinger Single Decker

Thanks to its exact and gentle operation and the high specific throughput rate, the JEL Freischwinger is used for a broad field of applications. The grain spectrum of the long-stroke screening machine ranges from 40 µm to 20 mm.

► Operation

The screening process is continuous. The machine operates dust free and with low noise levels. The flywheel drive ensures horizontal movement of the sieve, based on the principle of exact mass balancing. The separation of bulk solids is done from fine to coarse. Depending on the product, the machine can be designed for a vibration amplitude of 15 to 60 mm. The adjustable sieve inclination from 1 to 3° allows for the adjustment to individual product and screening requirements.*

► Machine equipment

The JEL Freischwinger has a modular structure.

► Areas of application

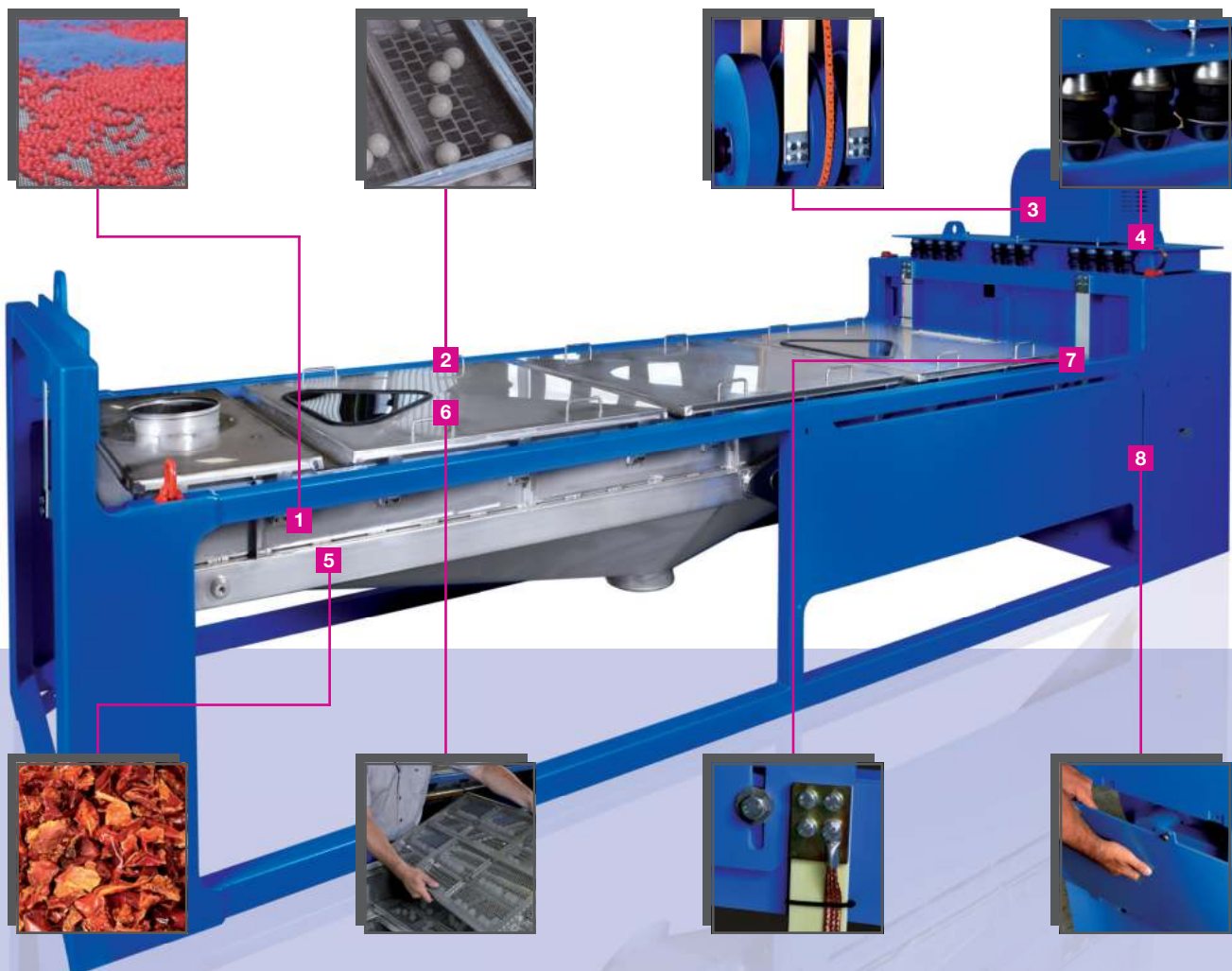
Chemicals	Plastics	Pharmaceuticals	Foodstuffs	Similar industries
●	●	○	●	●

► Bulk solids

Grainy	Powdery	Finely powdered	Fatty	Granular
●	●	●	●	●

► Screening applications

Protective screening	Grading	Coarse/Oversize grain screening	Fine screening	Deagglomerating
●	●	●	●	○



LONG-STROKE SIEVE | JEL Freischwinger
Single Decker

- 1 High level of selectivity
- 2 Various screen cleaning systems
- 3 Low energy consumption
- 4 Low dynamic loads
- 5 Exact and gentle screening
- 6 Easy sieve replacement
- 7 Adjustable screen inclination
- 8 Easy maintenance

* (angle of inclination from 0 to 8° available upon request)

Long-Stroke Screening Machine

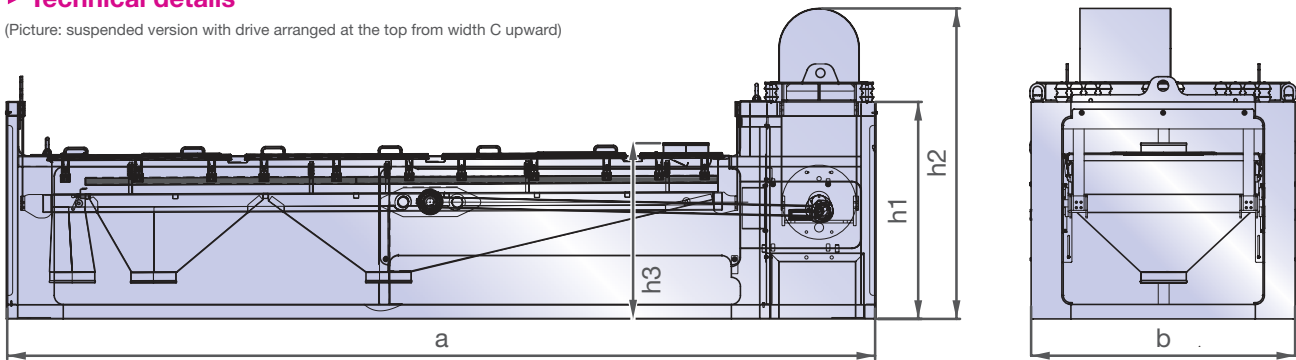
JEL Freischwinger

► Design

- Stainless steel material (product contacting parts)
- Available as a double decker*
- Possible speed adjustment
- Various screen cleaning systems (rubber balls, triangles and ultrasound)**
- Available with movable assembly trolley
- Gas-proof design
- ATEX design
- Also available as a granulate material sieve

► Technical details

(Picture: suspended version with drive arranged at the top from width C upward)



Convincing facts

- ✓ Exact and gentle screening
- ✓ High level of selectivity during classification (up to 99%)
- ✓ Easy and quick sieve replacement (4 minutes in the case of a 4 m² screening surface)
- ✓ Low-noise operation (75-78 dB(A))
- ✓ 2 to 10 fractions with only one sieve deck
- ✓ Low energy consumption (e.g. 0.75 kW for a 1.5m² screening surface)
- ✓ Short downtimes due to quick cleaning
- ✓ Very low dynamic forces

LONG-STROKE SIEVE | JEL Freischwinger
Single Decker

Width	Model	Fractions	Screening surface (m ²)	No. of sieve inserts	Dimensions of sieve inserts (mm)	Inlet/outlet diameter (mm)	Electric motor (kW)	Length a (mm)	Width b (mm)	Height h1 (mm)	Height h2 (mm)	Height h3 (mm)	Weight (kg)
A	FW E.A. 24	2 - 3	0.24	2	250 x 500	100 - 250	0.25	1870	640	800	-	800	280
	FW E.A. 36	2 - 4	0.36	3	250 x 500	100 - 250	0.37	2370	640	850	-	850	350
	FW E.A. 48	2 - 5	0.48	4	250 x 500	100 - 250	0.37	2870	640	850	-	850	400
B	FW E.B. 75	2 - 4	0.75	3	500 x 500	100 - 300	0.37	2370	840	850	-	850	500
	FW E.B.100	2 - 5	1.00	4	500 x 500	100 - 300	0.55	2870	840	1200	1200	850	580
	FW E.B.125	2 - 6	1.25	5	500 x 500	100 - 300	0.55	3800	1100	1200	1200	900	980
C	FW E.B.150	2 - 7	1.50	6	500 x 500	100 - 300	0.75	4300	1100	1250	1250	900	1100
	FW E.C.150	2 - 5	1.50	4	750 x 500	150 - 350	0.75	3300	1350	1200	1600	950	1250
	FW E.C.187	2 - 6	1.87	5	750 x 500	150 - 350	0.75	3800	1350	1200	1600	950	1400
D	FW E.C.225	2 - 7	2.25	6	750 x 500	150 - 350	1.10	4300	1350	1250	1650	950	1550
	FW E.D.200	2 - 5	2.00	4	1000 x 500	150 - 500	1.10	3300	1600	1300	1800	980	1600
	FW E.D.250	2 - 6	2.50	5	1000 x 500	150 - 500	1.10	3800	1600	1300	1800	980	1800
E	FW E.D.300	2 - 7	3.00	6	1000 x 500	150 - 500	2.20	4300	1600	1300	1800	980	2000
	FW E.D.350	2 - 8	3.50	7	1000 x 500	150 - 500	2.20	4800	1600	1300	1800	980	2200
	FW E.D.400	2 - 9	4.00	8	1000 x 500	150 - 500	2.20	5300	1600	1300	1800	1000	2400
F	FW E.D.450	2 - 10	4.50	9	1000 x 500	150 - 500	2.20	5800	1600	1300	1800	1000	2600
	FW E.D.500	2 - 11	5.00	10	1000 x 500	150 - 500	2.20	6300	1600	1300	1800	1000	2800
	FW E.E.600	2 - 9	6.00	8	1500 x 500	200 - 600	2.20	5700	2350	1400	1900	1150	4000
E	FW E.E.675	2 - 10	6.75	9	1500 x 500	200 - 600	3.00	6200	2350	1400	1900	1150	4400
	FW E.E.750	2 - 11	7.50	10	1500 x 500	200 - 600	3.00	6700	2350	1400	1900	1150	5200
F	FW E.F. 800	2 - 9	8.00	8	2000 x 500	200 - 700	5.50	7000	2850	1600	2100	1200	6200
	FW E.F.1000	2 - 10	10.00	10	2000 x 500	200 - 700	5.50	7500	2850	1600	2100	1250	7000
	FW E.F.1200	2 - 11	12.00	12	2000 x 500	200 - 700	5.50	8000	2850	1600	2100	1300	7800
	FW E.F.1400	2 - 12	14.00	14	2000 x 500	200 - 700	7.50	8500	2850	1600	2100	1350	8600
F	FW E.F.1600	2 - 13	16.00	16	2000 x 500	200 - 700	7.50	9000	2850	1600	2100	1400	9200

► Your contact person

You have questions or need a non-binding quotation? Our experts are happy to help you!

J. Engelsmann AG

Frankenthaler Str. 137-141
D-67059 Ludwigshafen

Tel.: +49 (0)621-59002-0
Fax: +49 (0)621-59002-550

info@engelsmann.de
www.engelsmann.com



Product page JEL Freischwinger

* (see fact sheet JEL Freischwinger double decker)

** (also available as a striking sieve)