

Drum Hoop Mixer

JEL RRM



► JEL RRM

The JEL RRM drum hoop mixer is used for the mixing, homogenization and coloring of bulk solids and fluids. The mixer can also be used for small volumes of materials and, thanks to its compact design, even finds a place in cramped production halls. The JEL RRM is operated with no need for tools. A special hygiene variant is available for use in hygiene-sensitive areas of application.

► Operation

The drum filled with the mixing material serves as the mixing container and sits at an angle on the drum mounting on the drum hoop. When the mixing process is started, the drum hoop rotates onto the roller track and puts the drum into a tumbling motion. The angled drum position and the tumbling motion ensure intense blending of the components.

► Areas of application

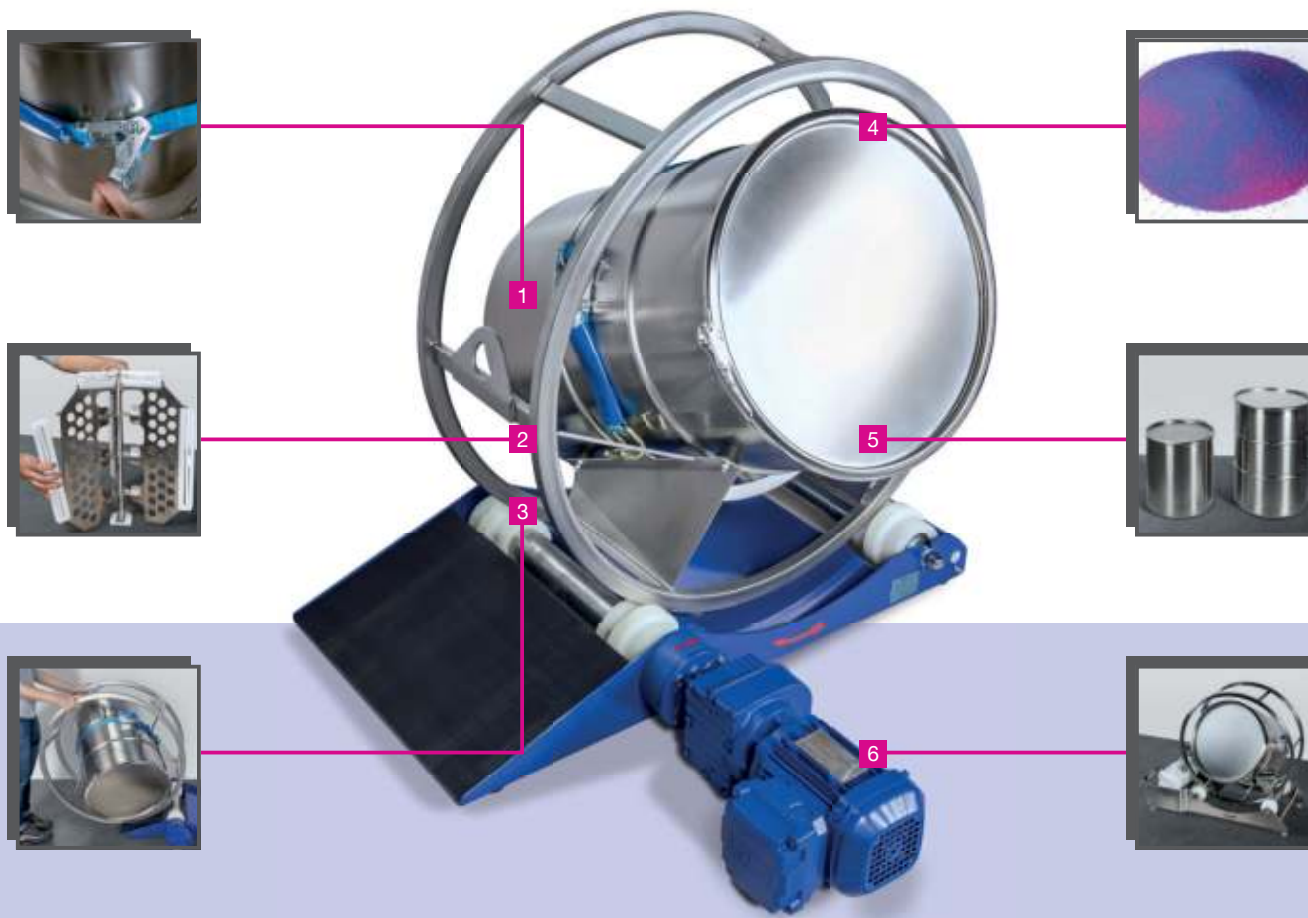
Chemicals	Plastics	Pharmaceuticals	Foodstuffs	Similar industries
●	●	●	●	●

► Bulk solids

Grainy	Powdery	Finely powdered	Granular	Liquids
●	●	●	●	●

► Mixing applications

Mixing	Homogenizing	Dyeing
●	●	●



1 Can be operated with no tools

4 Intense mixing effect

2 Optional: Mixing add-on

5 Available in multiple sizes

3 Easy to use

6 Hygienic design variant

DRUM HOOP MIXER | JEL RRM

Drum Hoop Mixer

JEL RRM

► Design

- Hygienic design variant available for high hygiene requirements
- 50 – 300 l mixing container
- Optional: three-paddle mixing add-on for optimizing the intensity of the mixing action
- ATEX design possible
- Option of variable RPM
- Various safety guards available
- Special designs upon request

Convincing facts

- ✓ Intense mixing effects even with only small amounts of additives or active ingredients, for example
- ✓ Adaptation for on-site drums possible
- ✓ Easy to change the mixing container
- ✓ Also suitable for small product volumes
- ✓ Tool-free operation
- ✓ Low maintenance design thanks to fewer and longer-lasting wear parts

SAFETY GUARDS

In order to ensure a high level of user protection, we recommend the use of safety guards. From the small protective hood through to aluminum grates which can be walked on or glass safety guards, we offer a variety of models.



Protective hood made from aluminum mesh and perspex



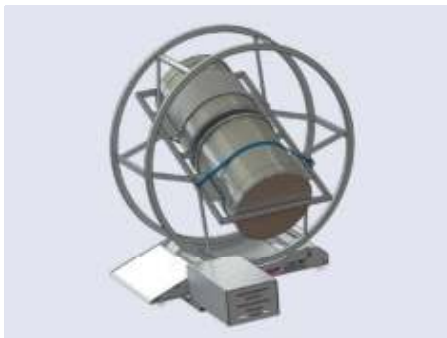
Glass safety guard which can be walked on



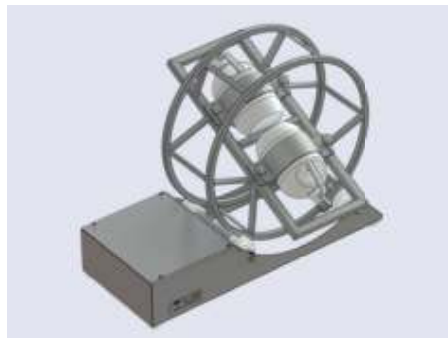
Safety guard which can be walked on made from an aluminum grate with control platform and access ramp

SPECIAL VERSIONS

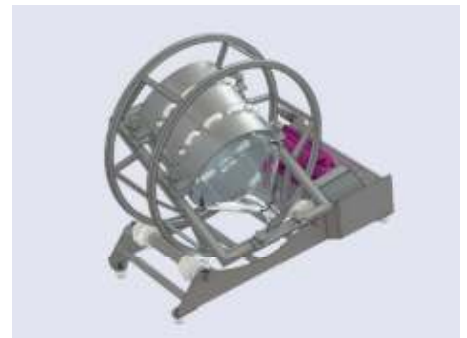
The JEL RRM drum hoop mixer is available in various design variants. Special designs are also possible and are individually tailored to the respective customer's requirements.



Drum hoop mixer to accommodate two drums



Drum hoop mixer to accommodate two plastic bottles



Drum hoop mixer with glass container for the pharmaceutical industry

Drum Hoop Mixer

JEL RRM - Hygienic Design

Mixing in hygiene-sensitive production environments

The hygiene model of the JEL RRM is based on the FDA, EC 1935/2004 and GMP guidelines, as well as the principles of hygienic design. Thanks to the minimal dead space design and the quick and easy cleaning capability of all components, the hygienic design variant of the JEL RRM meets even the most stringent hygiene requirement.

► Hygienic design model

OVERALL AND SURFACE CONSTRUCTION



- Can be completely disassembled into individual components
- Stainless steel surfaces polished to different roughness depths or electropolished

DRIVE



- Special cavity-free aseptic drive
- Smooth housing for easy cleaning
- Motor with no fan

Convincing facts

- ✓ Easy to clean thanks to smooth surfaces with no dead space
- ✓ Can be fully disassembled for thorough cleaning and disinfection of the individual parts
- ✓ Good accessibility to all parts thanks to an open design
- ✓ No surfaces for dirt to accumulate on
- ✓ Food-safe materials
- ✓ Documentation package for qualification (IQ, OQ, DQ, etc.)

MIXING ADD-ON



- Welded assembly with no parts which can be lost
- Pluggable spring terminal strips are easily removed for cleaning purposes and connected again

ROLLER TRACK AND DRUM HOOP



- Open design with no dead space
- Drum mounting with food-safe plastic coating on the half shells

Drum Hoop Mixer

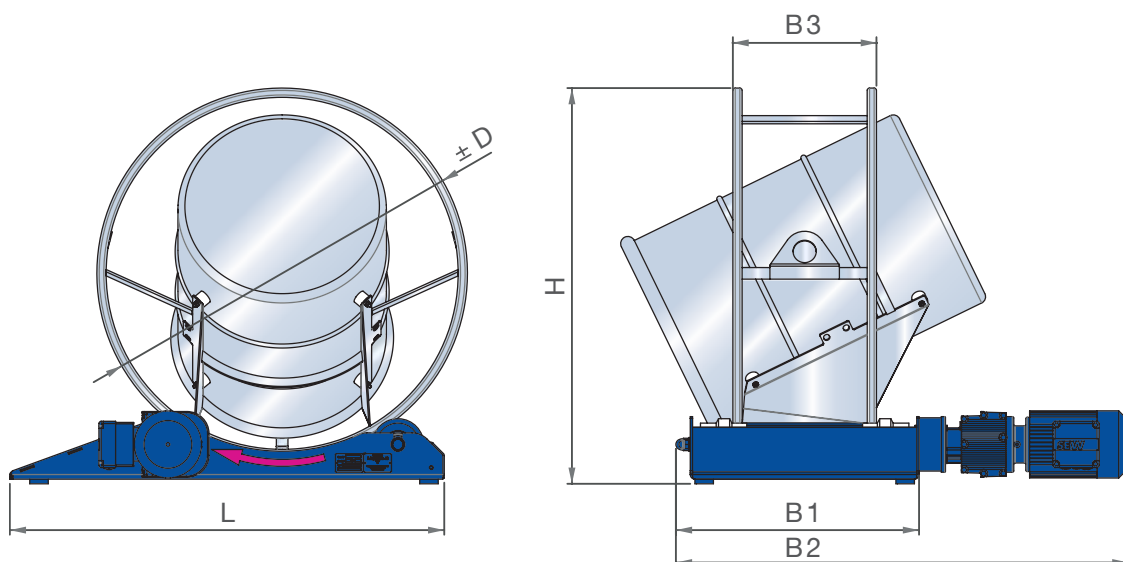
JEL RRM



► Technical details

Type	Gross Volume (Litres)	Charge Limit (kg)	Drum Hoop Speed rpm	Power kW	Voltage Volt	Speed rpm	Frequency HZ	IP code
RRM ELTE 650	50	30	32	0.25	400	300	50	65
RRM ELTE Hygiene	50	30	33	0.25	400	310	50	67
RRM 100	100	60	28	0.55	400	250	50	54
RRM 200	200	120	21	0.55	400	250	50	54
RRM SA 1100	200	150	21	0.55	400	250	50	54
RRM SA 1200	300	180	19	0.55	400	250	50	54

special voltage upon request



DRUM HOOP MIXER | JEL RRM

Type	Drum Hoop				Roller Track					Roller Track + Drum Hoop
	Material	Weight (kg)	± D (mm)	B3 (mm)	Material	Weight (kg)	L (mm)	B1 (mm)	B2 (mm)	H (mm)
RRM ELTE 650	VA	9	650	250	VA / St	30	935	384	384	720
RRM ELTE Hygiene	VA	23	650	250	VA	37	838	384	444	753
RRM 100	VA	16	800	310	VA / St	50	935	494	1020	1020
RRM 200	VA	24	1080	450	VA / St	43	935	494	1020	1190
RRM SA 1100	VA	30	1080	450	VA / St	70	1250	494	1020	1190
RRM SA 1200	VA	30	1200	450	VA / St	90	1250	494	1020	1315

Dimensions for special designs upon request

► Your contact person

You have questions or need a non-binding quotation? Our experts are happy to help you!

J. Engelsmann AG

Frankenthaler Str. 137-141
D-67059 Ludwigshafen

Tel.: +49 (0)621-59002-0
Fax: +49 (0)621-59002-550

info@engelsmann.de
www.engelsmann.com



Product page JEL RRM