

JEL Konti II CTM

► JEL Konti II CTM

Developed for screening applications in containment areas up to OEB 4. The vibrating sieve can be used to screen a wide range of products and can be used for almost all common screening tasks. Operation and, above all, changing of the sieve insert is carried out without tools and without breaking the containment. Enlarged radii and a design with little dead space enable fast, residue-free cleanings. The JEL Konti II CTM is predestined for applications with toxic and highly active substances and for productions with the highest hygiene requirements.

► Operation

The screening process is continuous and dust-free. When changing the screen insert, the insert is pulled out of the front of the machine like a drawer – without dismantling or decoupling the machine from the product flow. With the special containment attachment system, foil bags are docked to the screen insert opening, so that the insert can be pulled out and safely stowed in the foil bag – in just a few steps. A pneumatic seal ensures a stable and dust-tight connection between the screening machine and the foil bag.

► Areas of application

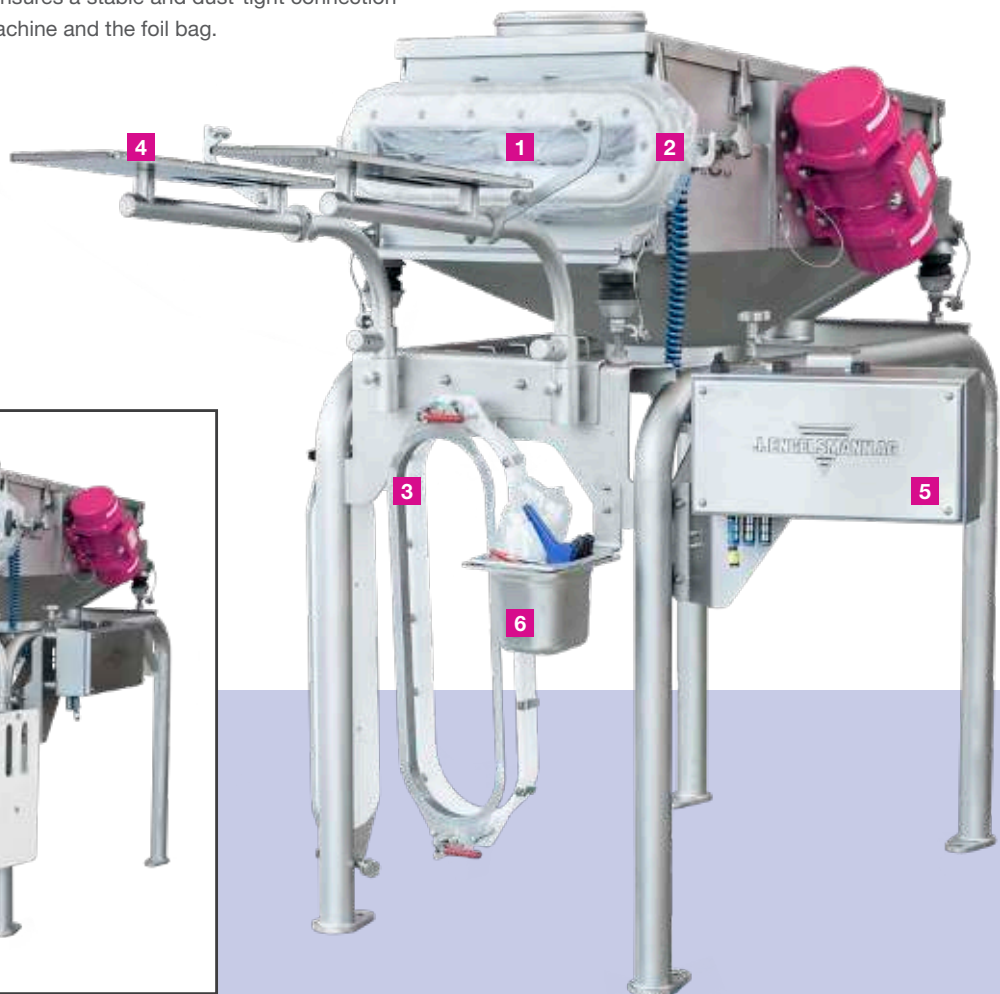
Chemicals	Plastics	Pharmaceuticals	Foodstuffs	Similar industries
●	○	●	●	●

► Screening applications

Protective screening	Grading	Coarse/Over-size screening	Fine screening	Deagglomerating
●	●	●	●	○

► Occupational Exposure Band (OEB)

1	2	3	4	5	6
●	●	●	●	○	○



- 1** Slide-in opening for sieve insert
- 2** Sealing bracket with integrated, pneumatic seal

- 3** Mounting assistance for docking the foil bags
- 4** Foldable support table for the screen insert

- 5** Pneumatic control
- 6** Storage container for cable ties and hand tools

JEL Konti II CTM

► Design

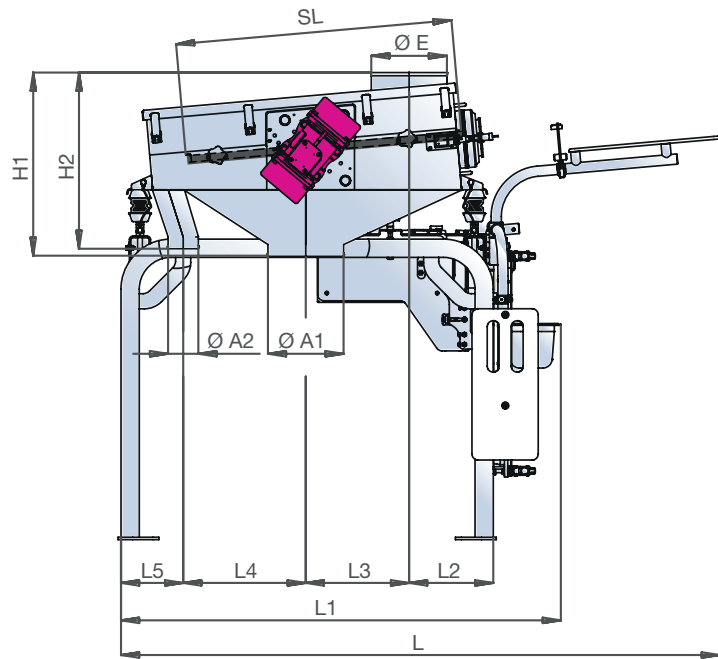
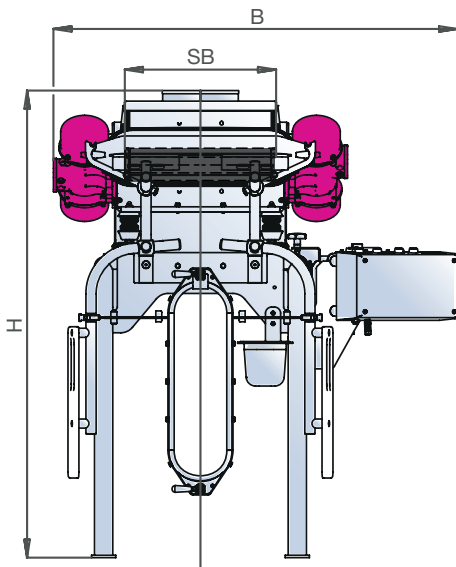
- With containment docking console, storage table for the sieve inserter, foil system and hand tools.
- Pneumatic sealing system for maximum tightness
- Various surface treatments and roughnesses
- Standard: Hygienic design with extended radii
- Screen mesh cleaning system (triangles)
- Stationary installation or mobile on a rolling frame
- Version with two screen decks on request
- According to GMP, FDA, BfR or EC 1935/2004
- ATEX version

► Technical details

Type	Occupational Exposure Limit	Screening surface	Weight	No. of vibrators	Power	Voltage
Konti II 700-CTM	1 - 10 µg/m ³ (OEB 4)	0.18 m ²	130 kg	2	2 x 0.16 kW	230/400 V
Konti II 1000-CTM	1 - 10 µg/m ³ (OEB 4)	0.45 m ²	220 kg	2	2 x 0.30 kW	230/400 V
Konti II 1300-CTM	1 - 10 µg/m ³ (OEB 4)	0.90 m ²	310 kg	2	2 x 0.62 kW	230/400 V

Convincing facts

- ✓ Can be used for a wide range of products and screening tasks
- ✓ Clear, intuitive controls that virtually eliminate operating errors.
- ✓ Protection against contamination or exposure up to OEB 4: Screening process incl. insert changes can be done without breaking the containment.
- ✓ Cleaning and insert change without disassembly or disconnecting from the product flow
- ✓ Hygienic design for easy cleaning
- ✓ Easy handling: Easy mounting and dismounting of the containment module, convenient removal and storage of the sieve insert
- ✓ High specific sieving capacity



DIMENSIONS [mm]

Type*	øA1	øA2	B	øE	H	H1	H2	L	L1	L2	L3	L4	L5	SB	SL
700	150	100	1200	150	1170	500	500	1480	1110	200	230	300	150	300	620
1000	250	100	1340	250	1550	605	580	1980	1455	280	345	405	205	500	915
1300	300	150	1440	300	1710	760	670	2600	1875	310	500	585	250	700	1300

* Further sizes on request

More detailed information about the screening machine JEL Konti II can be found on our website or in the according fact sheet.

► Your contact

You have questions or need a non-binding offer? Our experts are happy to help you!

J. Engelsmann AG

Frankenthaler Str. 137-141
D-67059 Ludwigshafen

Phone: +49(0)621 59002-42
Fax: +49(0)621 59002550

info@engelsmann.de
www.engelsmann.de



Information JEL Konti II CTM