

# Big Bag Emptying Station



## JEL BasicLine

### ► JEL BasicLine

The JEL BasicLine is specially developed for big bag emptying jobs in which efficiency is the priority. Thanks to a wide range of equipment options, the JEL BasicLine offers plenty of freedom for adaptation to a wide variety of tasks.

### ► Operation

The big bag is inserted via an integrated crane track with electrically operated chain hoist and loading gear, a crane available on site or with a forklift. Once the big bag has been manually connected to the emptying unit, the emptying process, in which the emptying aids ensure a smooth flow of material, starts.

### ► Machine equipment

The JEL BasicLine has a modular design and thus allows for a wide variety of equipment options.

### ► Areas of application

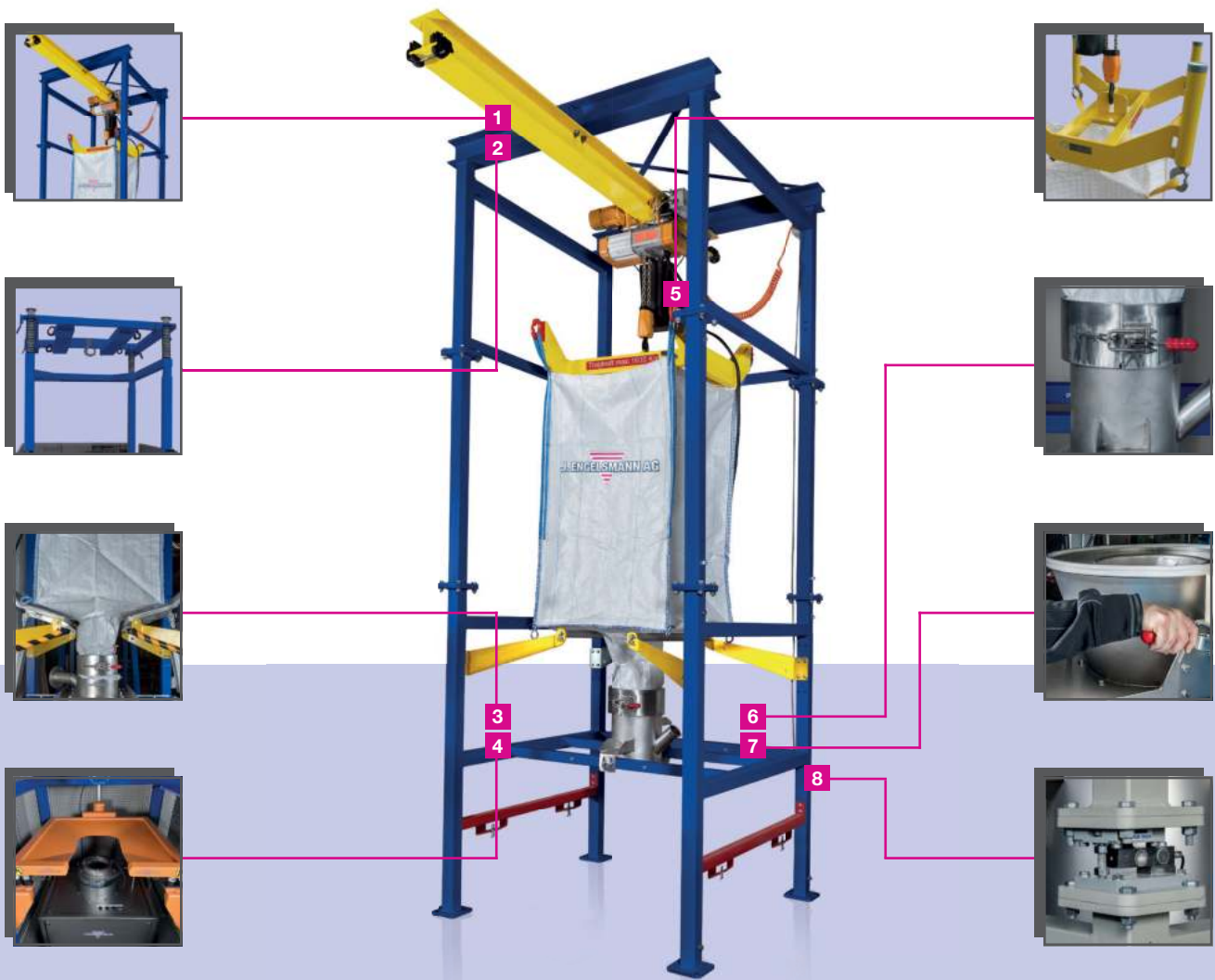
Chemicals	Plastics	Pharmaceuticals	Foodstuff	Similar industries
●	●	○	●	●

### ► Bulk solids

Grains	Coarse powder	Fine powder	Fatty products	Granules
●	●	●	●	●

### ► Big bag applications

Big bag filling	Big bag emptying
○	●



- 1 Delivery via crane track
- 2 Delivery via forklift

- 3 Rocking device
- 4 Vibrating table

- 5 Spring tightening
- 6 Low dust emptying unit

- 7 Dust-tight emptying unit
- 8 Load cells

BIG BAG EMPTYING | JEL BasicLine

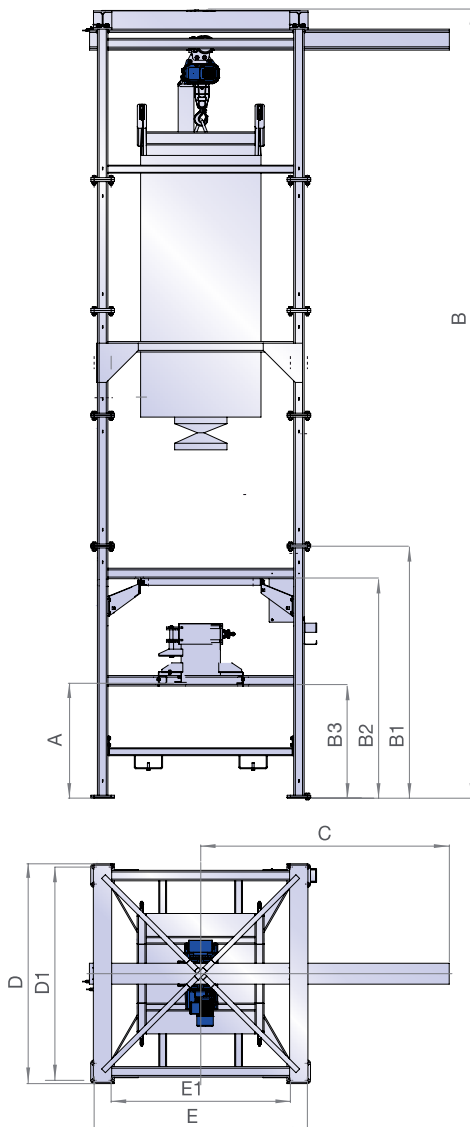
# Big Bag Emptying Station

## JEL BasicLine

### ► Design

- Delivery via crane track (integrated or on site) or forklift
- Low dust (standard) or dust-tight (optional) emptying unit
- Rocker or vibrating table as emptying aids
- Various optional equipment: load cells, level indicator, spring tightening, safety guard
- Either pneumatic or manual operation
- Mounting option for mechanical/pneumatic conveyor systems
- ATEX design available

### ► Technical details



## Convincing facts

- ✓ Frame in accordance with DIN EN 1090-2 EXC 3 as standard
- ✓ Easy to upgrade and convert thanks to the modular design
- ✓ Can be used flexible for a wide range of products
- ✓ Easy, ergonomic operation
- ✓ Quick delivery
- ✓ CE labeling
- ✓ Operator protection: Dust-tight emptying unit, dust extraction filter or safety guards
- ✓ Wide variety of equipment options such as emptying aids or load cells

### MACHINE

Type	JEL BasicLine
Load capacity	1,600 kg
Lifting height	5 m
Lifting speed	3/0.75 m/min
Voltage	230/400 V
Frequency	50 Hz
Trolley travel	20/5 m/min
Weight (acc. to overall height)	approx. 1,000 kg

Minimum height [B]	4,000 mm
Maximum height [B]	6,000 mm
Min. height - bottom edge of hopper [C]	855 mm
Max. height - bottom edge of hopper [C]	905 mm
Big bag outlet diameter	350 to 450 mm

### DIMENSIONS [mm]

A	877.5 (Lifting 855–902.5)
B	4,000–6,000
B 1	1,920
B 2	1,670
B 3	850
C	1,900
D	1,680
D 1	1,630
E	1,630
E 1	1,370

### ► Your contact person

You have questions or need a non-binding quotation? Our experts are happy to help you!

#### J. Engelsmann AG

Frankenthaler Str. 137-141  
D-67059 Ludwigshafen

Tel.: +49 (0)621-59002-0  
Fax: +49 (0)621-59002-550

info@engelsmann.de  
www.engelsmann.com



Product page JEL BasicLine