

JEL BasicLine



► JEL BasicLine

The filling station type JEL BasicLine is predestined for big bag filling with a focus on an economic use of machines. The robust construction, the attractive price and the low-maintenance operation are the benefits of the basic version.

► Operation

The empty big bag is suspended on one of the present hooks and fixed. After connecting the big bag inlet nozzle at the filling head, the connection is secured by means of a one-hand bag clamp and the filling process is started. Once the big bag has been filled, it is disconnected from the inlet nozzle, tied up and removed with a forklift truck.

► Machine equipment

The big bag filling station type JEL BasicLine consists of a frame with adjustable chains and a double-pipe filling head with aspiration connection.

► Areas of application

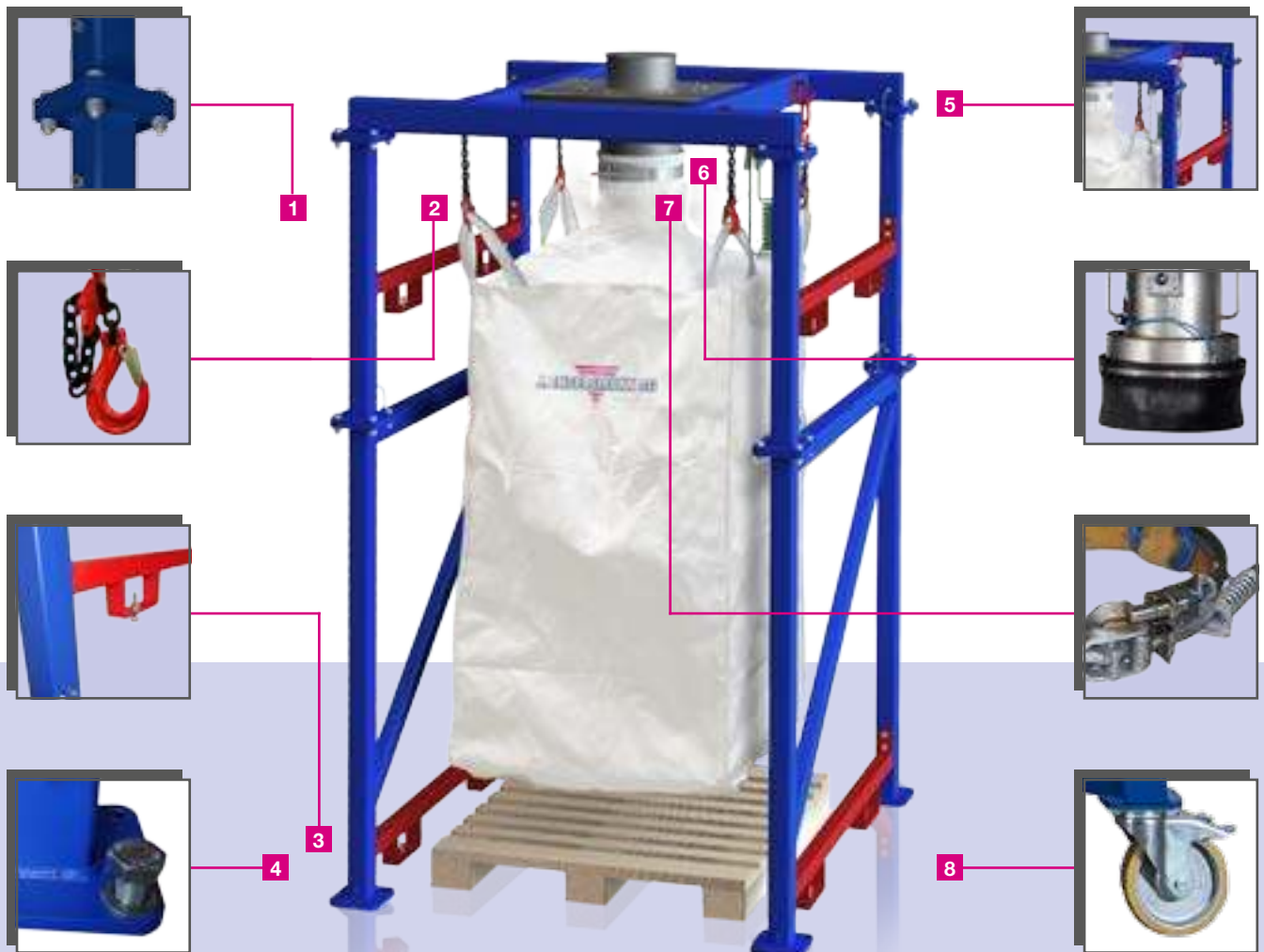
Chemicals	Plastics	Pharmaceuticals	Foodstuffs	Similar industries
●	●	○	●	●

► Bulk solids

Grainy	Powdery	Finely powdered	Fatty	Granular
●	●	●	●	●

► Big bag applications

Big bag filling	Big bag emptying
●	○



- 1** Exchangeable central supports for variable heights
- 2** Adjustable lifting chains
- 3** Assembly aids for secure transportation and installation*
- 4** Levelling option
- 5** Robust construction according to DIN EN 1090-2 EXC 3
- 6** Filling head with inflatable sleeve*
- 7** Secure connection with signal transmission to the control unit*
- 8** Mobile version available*

* optional

Big Bag Filling Station

JEL BasicLine

► Design

- ATEX design according to regulation 94/9 EG available
- Filling head with inflatable sleeve of the JEL PremiumLine available
- Assembly/ transportation aids also available for rent
- Optionally available with trickling protection (JEL FlowStop)
- Available with officially verifiable weighing
- Standard frame manufactured according to DIN EN 1090-2 EXC 3
- Big bag forming device (inflation device) available
- Optionally available with grounding monitoring

► Technical details

MACHINE

Type	D1	B1	B2
Maximum load capacity [kg]	2000	2000	2000
Big bag dimensions [mm]*	L 1000 B 1000 H 1000	L 1000 B 1000 H 1500	L 1000 B 1000 H 2000
Big bag volume [m ³]	1.00	1.50	2.00
Overall weight [kg]	400	450	470

* The dimensions only refer to the usable volume. Lifting loops are not taken into consideration.

DIMENSIONS [mm]

A	1000	1500	2000
B	1485	1985	2485
C	1945	2445	2945
D	1835	2335	2835
D1	1700	1700	1700
D2	0	500	1000
Ø E1	250	250	250
Ø E2	300/350/400	300/350/400	300/350/400
F	1680	1680	1680
F1	1630	1630	1630
F2	1370	1370	1370
G	1680	1680	1680
G1	1630	1630	1630
G2	1370	1370	1370

► Your contact person

Do you still have questions or would you like a non-binding price quotation? Then simply contact our team of experts.



Waldemar Gischa

Big bag systems
Phone +49(0)621 59002-17
Fax +49(0)621 59002-550
gischa@engelsmann.de

J. Engelsmann AG

Frankenthaler Str. 137-141
D-67059 Ludwigshafen
info@engelsmann.de
www.engelsmann.com



Information JEL BasicLine

Convincing facts

- ✓ Low acquisition costs
- ✓ CE marking
- ✓ Low-maintenance operation
- ✓ Extremely short delivery times
- ✓ Low standstill times due to easy big bag replacement
- ✓ Can be easily upgraded and/or retrofitted
- ✓ Low-dust operation
- ✓ Food-grade sealing

