

# Centrifugal Screening Machine

## JEL Viro



### ► JEL Viro

The JEL Viro has been developed to be used as a control or grading sieve for bulk solids with poor flow properties and difficult to screen. Due to its compact design and continuous operation, the machine is suitable for a wide range of applications.

### ► Operation

The product to be screened is fed vertically into a distribution chamber, from which it is led to the sieve via a feeding spiral. The product is distributed evenly on the screening surface within the two-part sieve basket. A high throughput capacity is obtained as a result of the centrifugal force of the sieve rotor and the additional vibration for cleaning the screen mesh.

### ► Machine equipment

The JEL Viro has a modular and compact structure.

### ► Areas of application

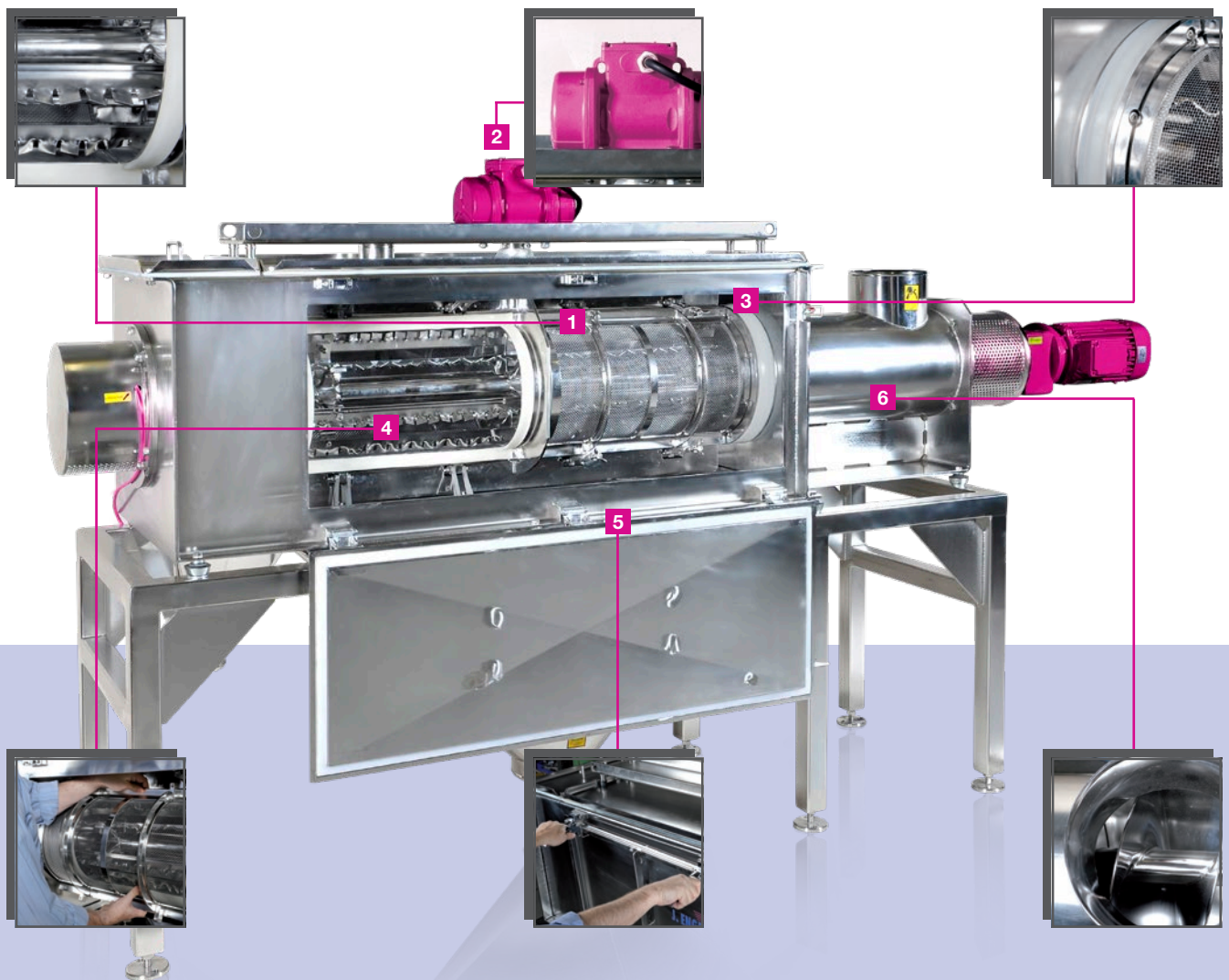
Chemicals	Plastics	Pharmaceuticals	Foodstuffs	Similar industries
●	●	●	●	●

### ► Bulk solids

Grainy	Powdery	Finely powdered	Fatty	Granular
●	●	●	●	●

### ► Screening applications

Protective screening	Oversize grain screening	Grading	Coarse screening	Fine screening
○	●	●	○	●



**1** Adjustable beater ledges

**2** Continuous screen cleaning by excitation of the screen mesh

**3** Seals according to FDA requirements

**4** Easy changing of sieve half shells

**5** Simple handling

**6** Product feeding via integrated spiral/conveying screw

Picture: type 300-1200 with two sieve baskets

CENTRIFUGAL SIEVE | JEL Viro

# Centrifugal Screening Machine

## JEL Viro

### ► Design

- Stainless steel material
- GMP/ATEX design
- Gas-proof design is possible

### ► Technical details

#### MACHINE

Type	Screening surface	Weight
300 - 800	0.75 m <sup>2</sup>	500 kg
300 - 1200	1.13 m <sup>2</sup>	700 kg
500 - 1000	1.57 m <sup>2</sup>	1100 kg
700 - 1500	3.30 m <sup>2</sup>	2400 kg

#### GEAR MOTOR

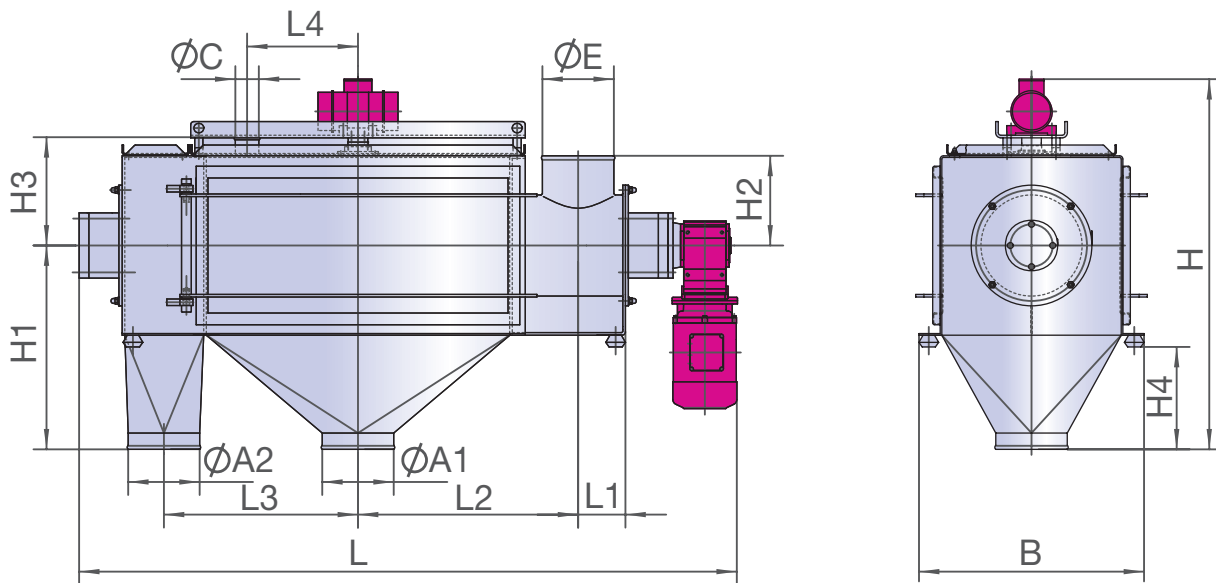
Power	Speed
4 kW	665 min <sup>-1</sup>
4 kW	665 min <sup>-1</sup>
5.5 kW	388 min <sup>-1</sup>
7.5 kW	267 min <sup>-1</sup>

#### VIBRATION MOTOR

Power	Speed	Voltage	Frequency
0.26 kW	3000 min <sup>-1</sup>	230/400 V	50 Hz
0.45 kW	3000 min <sup>-1</sup>	230/400 V	50 Hz
0.65 kW	3000 min <sup>-1</sup>	230/400 V	50 Hz
1.4 kW	3000 min <sup>-1</sup>	230/400 V	50 Hz

## Convincing facts

- ✓ Screening output 400 % higher than that of standard centrifugal screening machines
- ✓ Quick screen changing (maximum two minutes)
- ✓ Easy operation (by only one person)
- ✓ Specially designed for screening fatty and adhering products
- ✓ Hardly measurable transmission of vibrations to the building structure



#### DIMENSIONS [mm]

Type	ØA1	ØA2	B	ØC	ØE	H	H1	H2	H3	H4	L	L1	L2	L3	L4	SD*	SL**
300 - 800	219.1	690	88.9	219.1	1160	625	275	335	310	2100	145	675	595	340	300	800	
300 - 1200	219.1	650	88.9	219.1	1360	780	275	335	430	3000	180	855	900	590	300	2x600	
500 - 1000	273	920	88.9	273	1540	850	350	460	450	2500	170	825	715	400	500	1000	
700 - 1500	273	1090	88.9	273	2130	1160	700	700	560	3600	200	1050	1010	1010	700	1500	

\*Sieve basket diameter \*\*Sieve basket length

### ► Your contact person

Do you still have questions or would you like a non-binding price quotation? Then simply contact our team of experts.



#### Moritz Meier

Screening technology  
Phone +49 (0) 621 59002-42  
Fax +49 (0) 621 59002-550  
moritz.meier@engelsmann.de

#### J. Engelsmann AG

Frankenthaler Str. 137-141  
D-67059 Ludwigshafen  
info@engelsmann.de  
www.engelsmann.com



JEL Viro information