

Vibration Screening Machine

JEL Fix II



► JEL Fix

The JEL Fix is used for protective and oversize grain sieving. Thanks to its low design height and narrow platform, the sieve will find space even in limited production spaces. The JEL Fix can be fitted with a stationary or movable base frame depending on the requirements, or it can be integrated directly into a system without a frame. Thanks to a housing free of dead space and smooth surfaces, the JEL Fix can be cleaned easily and is therefore suited to high standards of hygiene.

► Operation

The sieve's movement is produced using a vibration motor with adjustable imbalance discs. Thanks to the option to adjust this, the screening capacity can be adjusted to be optimal to the appropriate screen feed. Open operation without a cover is made possible by the optional edge attachment.

► Areas of application

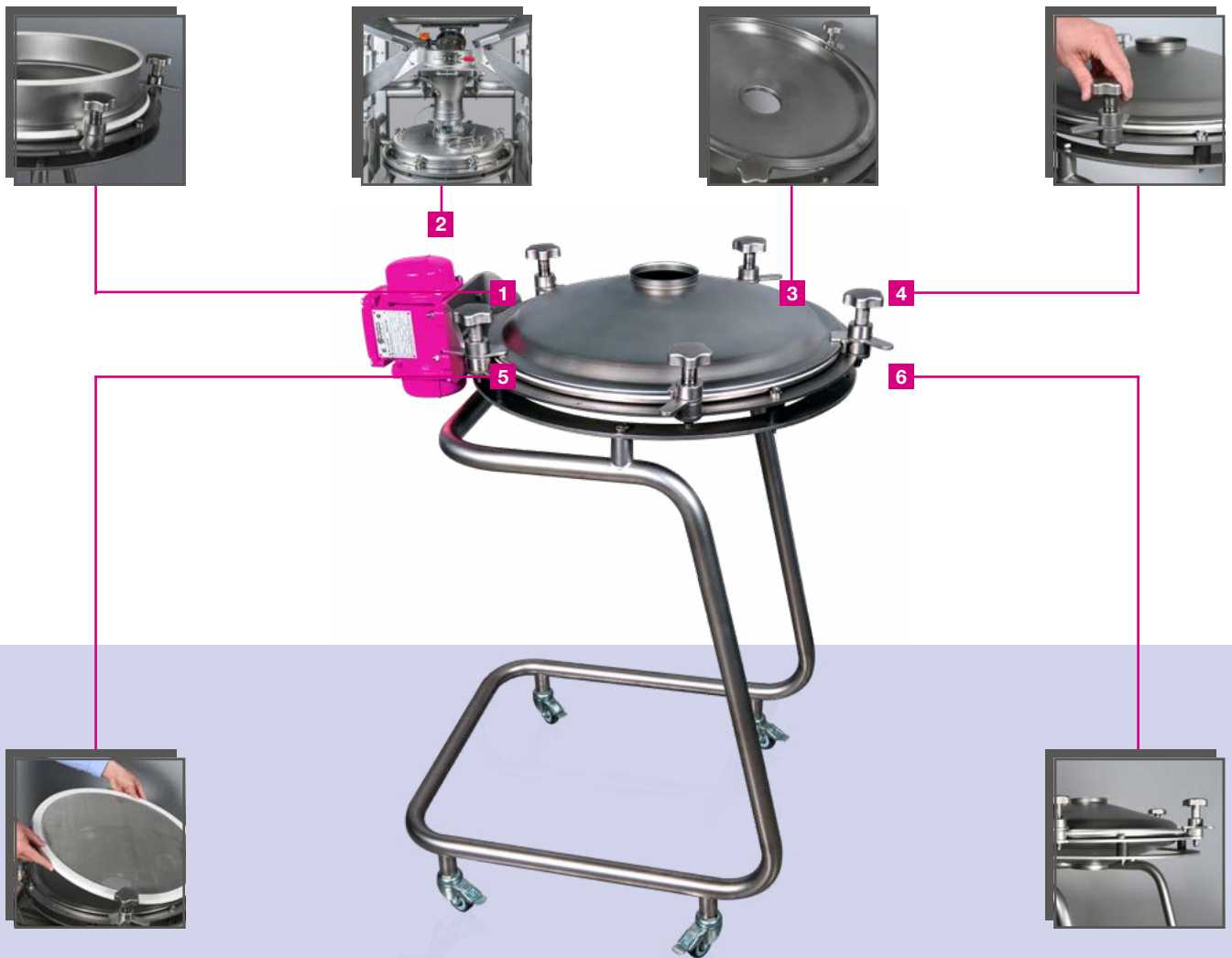
| Chemicals | Plastics | Pharmaceuticals | Foodstuffs | Similar industries |
|-----------|----------|-----------------|------------|--------------------|
| ● | ● | ● | ● | ● |

► Bulk solids

| Grainy | Powdery | Finely powdered | Fatty | Granular |
|--------|---------|-----------------|-------|----------|
| ● | ● | ● | ○ | ● |

► Screening applications

| Protective screening | Grading | Coarse/Oversize grain screening | Fine screening | Deagglomerating |
|----------------------|---------|---------------------------------|----------------|-----------------|
| ● | ○ | ● | ○ | ○ |



- 1** Edge attachment for operation without cover
- 2** May be integrated into existing and new systems (fig.: gas-tight attachment)
- 3** Easy to clean thanks to smooth surfaces
- 4** Operated without tools
- 5** Sieve insert can be changed easily
- 6** Low design height

VIBRATION SIEVE | JEL Fix II

Vibration Screening Machine

JEL Fix II

► Design

- Materials: Frame made completely of stainless steel, pluggable sealing sections made of silicon or TPE
- A variety of surface finishes and roughnesses
- Dust-tight (gas-tight design on request)
- A variety of sieve-cleaning systems (ball, triangle and ultrasound cleaning)
- Optional: Inspection opening with rubber cover
- Available with or without a base frame (stationary or movable)
- ATEX version available
- Optional edge attachment for open operating without a cover

► Technical details

MACHINE

| Type | Screening surface | Weight |
|---------------|---------------------|--------|
| JEL-Fix II 30 | 0.07 m ² | 17 kg |
| JEL-Fix II 50 | 0.20 m ² | 27 kg |
| JEL-Fix II 80 | 0.50 m ² | 60 kg |

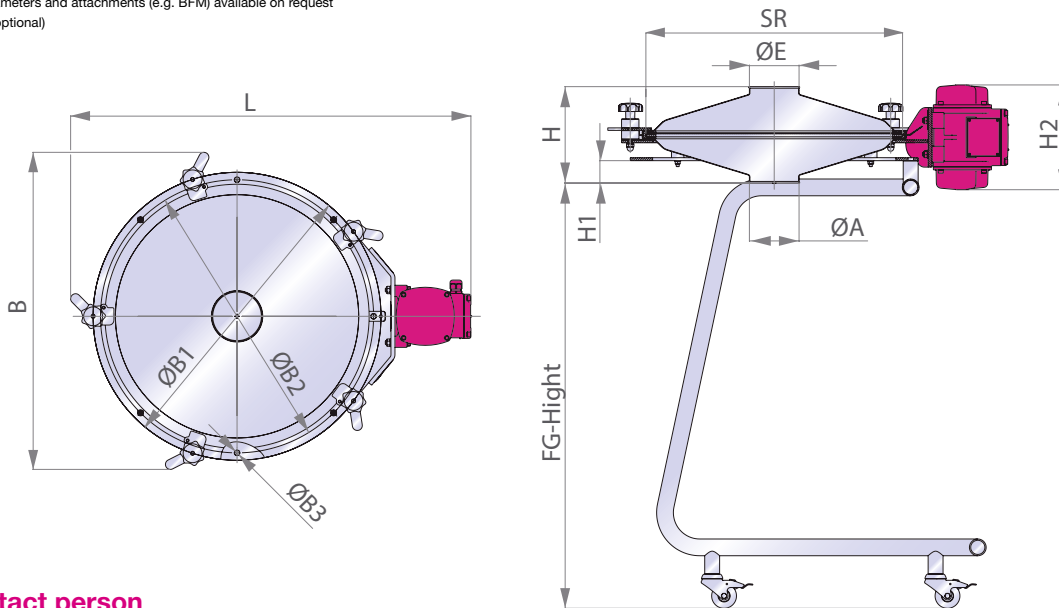
VIBRATION MOTORS

| Power | Speed | Voltage | Frequency |
|---------|------------------------|-----------|-----------|
| 0.07 kW | 3000 min ⁻¹ | 230/400 V | 50 Hz |
| 0.10 kW | 3000 min ⁻¹ | 230/400 V | 50 Hz |
| 0.25 kW | 3000 min ⁻¹ | 230/400 V | 50 Hz |

DIMENSIONS [mm]

| Type | ØE* | ØA* | H | H1 | H2 | B | ØB1 | ØB2 | ØB3 | L | ØSR | UG-Hight** |
|---------------|-----|-----|-----|----|-----|-----|-----|-----|---------|------|-----|------------|
| JEL-Fix II 30 | 100 | 100 | 135 | 15 | 213 | 420 | 380 | 350 | 3 x Ø9 | 590 | 317 | 885 |
| JEL-Fix II 50 | 100 | 100 | 195 | 45 | 211 | 620 | 580 | 550 | 3 x Ø11 | 810 | 517 | 855 |
| JEL-Fix II 80 | 150 | 150 | 270 | 75 | 255 | 975 | 900 | 850 | 3 x Ø11 | 1130 | 817 | 840 |

* A variety of socket diameters and attachments (e.g. BFM) available on request
 **UG = undercarriage (optional)



► Your contact person

Do you still have questions or would you like a non-binding price quotation? Then simply contact our team of experts.



Moritz Meier
 Screening technology
 Phone +49(0)621 59002-42
 Fax +49(0)621 59002-550
 moritz.meier@engelsmann.de

J. Engelsmann AG
 Frankenthaler Str. 137-141
 D-67059 Ludwigshafen
 info@engelsmann.de
 www.engelsmann.com



Information JEL Fix II

Convincing facts

- ✓ Flexibly adaptable due to adjustable screening capacity
- ✓ Easily changeable sieve inserts
- ✓ Suited to tight spaces due to its compact design
- ✓ Easy to clean and maintain thanks to easily accessible parts
- ✓ Can be operated comfortably and without tools
- ✓ Low investment costs and quick delivery
- ✓ Can be integrated directly into existing or new systems
- ✓ Hygienic use of the machine due to Hygienic Design Features