

Double Cone Mixer



► JEL DKM

The standard double cone mixer JEL DKM is designed for mixing, homogenizing and dyeing of powdery or granular products up to a nominal volume of 10,000 liters.

► Operation

Due to the rotation of the mixing drum, the product is gently moved from the cylindrical part into the conical part and vice versa and uniform mixing of the material is obtained. As a result, the material lifted by centrifugal and frictional forces slides down according to its angle of slope.

► Machine or plant equipment

The JEL DKM consists of a mixing drum, two supports and a slip-on gear unit.

► Areas of application

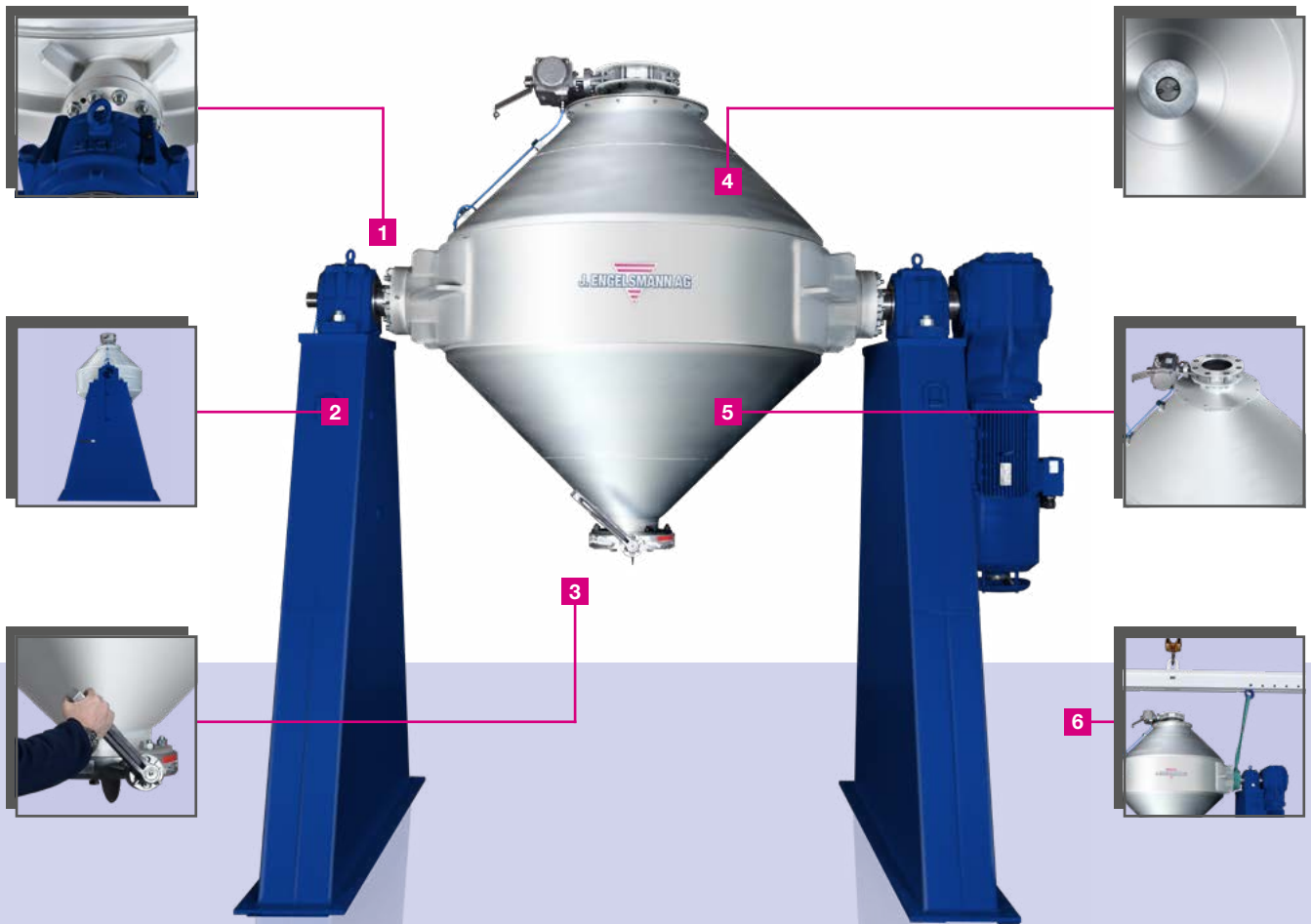
Chemicals	Plastics	Pharmaceuticals	Foodstuffs	Similar industries
●	●	●	●	●

► Bulk solids

Grainy	Powdery	Finely powdered	Fatty	Granular
●	●	●	○	●

► Application processes

Mixing	Homogenizing	Dyeing
●	●	●



- 1** Robust execution
- 2** Low dynamic forces

- 3** Simple handling
- 4** Proper emptying almost residue-free

- 5** Gentle mixing due to inclined surfaces
- 6** Easy to transport and to maintain

Double Cone Mixer

► Design

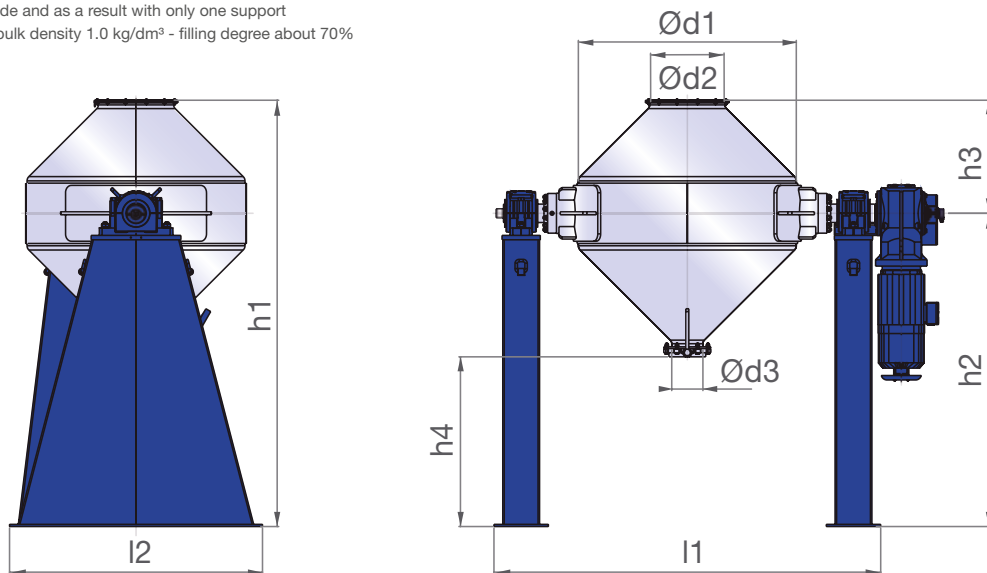
- Standard design of steel (stainless steel and titanium possible)
- ATEX or GMP version available
- Automatic feeding and emptying available as an option
- Manual and automatic operation
- Batch operation
- Upon request with spraying device for CIP cleaning
- Rotary inlet allowing for spraying in liquid or gaseous media

► Technical details

Model	Nominal volume/content (l)	Driving power (kW)**	Ø d1 (mm)	Ø d2 (mm)	Ø d3 (mm)	Height h1 (mm)	Height h2 (mm)	Height h3 (mm)	Height h4 (mm)	Length l1 (mm)	Length l2 (mm)	Total weight (kg)
DKM 100 *	70	0.55	600	300	150	1450	950	500	500	1200	730	250
DKM 200 *	140	0.75	780	300	150	1700	1100	600	600	1380	880	400
DKM 400 *	280	1.50	950	400	200	2030	1350	680	600	1660	1000	550
DKM 600	420	2.20	1100	400	200	2150	1400	750	600	2540	1100	800
DKM 800	560	3.00	1250	400	200	2320	1500	820	800	2960	1100	1100
DKM 1000	700	4.00	1350	400	200	2630	1750	880	800	3120	1400	1590
DKM 1500	1050	5.50	1500	400	200	2850	1850	1000	800	3420	1500	2300
DKM 2000	1400	7.50	1700	500	250	3050	2000	1050	800	3700	2000	3000
DKM 3000	2100	7.50	1950	500	250	3280	2100	1180	800	4130	2100	4150
DKM 5000	3500	15.00	2300	500	250	3750	2350	1400	920	4700	2200	6500
DKM 8000	5600	18.50	2650	500	250	4220	2600	1620	1000	5260	2500	10400
DKM 10000	7000	22.00	2900	500	250	4650	2900	1750	1120	5780	3400	12800

*Mixers with bearing on one side and as a result with only one support

**Driving power designed for bulk density 1.0 kg/dm³ - filling degree about 70%



► Your contact person

Do you still have questions or would you like a non-binding price quotation? Then simply contact our team of experts.



Andreas Pappon

Mixing technology
Phone +49(0)621 59002-510
Fax +49(0)621 59002-550
pappon@engelsmann.de

J. Engelsmann AG

Frankenthaler Str. 137-141
D-67059 Ludwigshafen
info@engelsmann.de
www.engelsmann.com



Information JEL DKM

Convincing facts

- ✓ User-friendly and low-maintenance operation
- ✓ Gentle product handling during the mixing of components
- ✓ Uniform mixing of the material
- ✓ Robust and compact design
- ✓ Intensive mixing effect even when adding low quantities of additives or ingredients
- ✓ Low dynamic loads