

Rotary Valves

► JEL ZRS

Rotary valves are mainly used for dosing, discharging or feeding powdery and granular bulk solids and also as protective systems (ignition prevention system) in explosive areas. Additionally, they can be used as metering units for extracting substances from silos, bunkers, containers etc. and for feeding downstream assemblies.

► Operation

Via the inlet, the bulk solids are fed to the wheel of the rotary valve. The latter consists of several chambers and divides the product flow into smaller partial flows. Via the outlet, these partial quantities are fed to the downstream process.

► Machine or plant equipment

The rotary valves are based on a compact design.

► Areas of application

Chemicals	Plastics	Pharmaceuticals	Foodstuffs	Similar industries
•	•	•	•	•

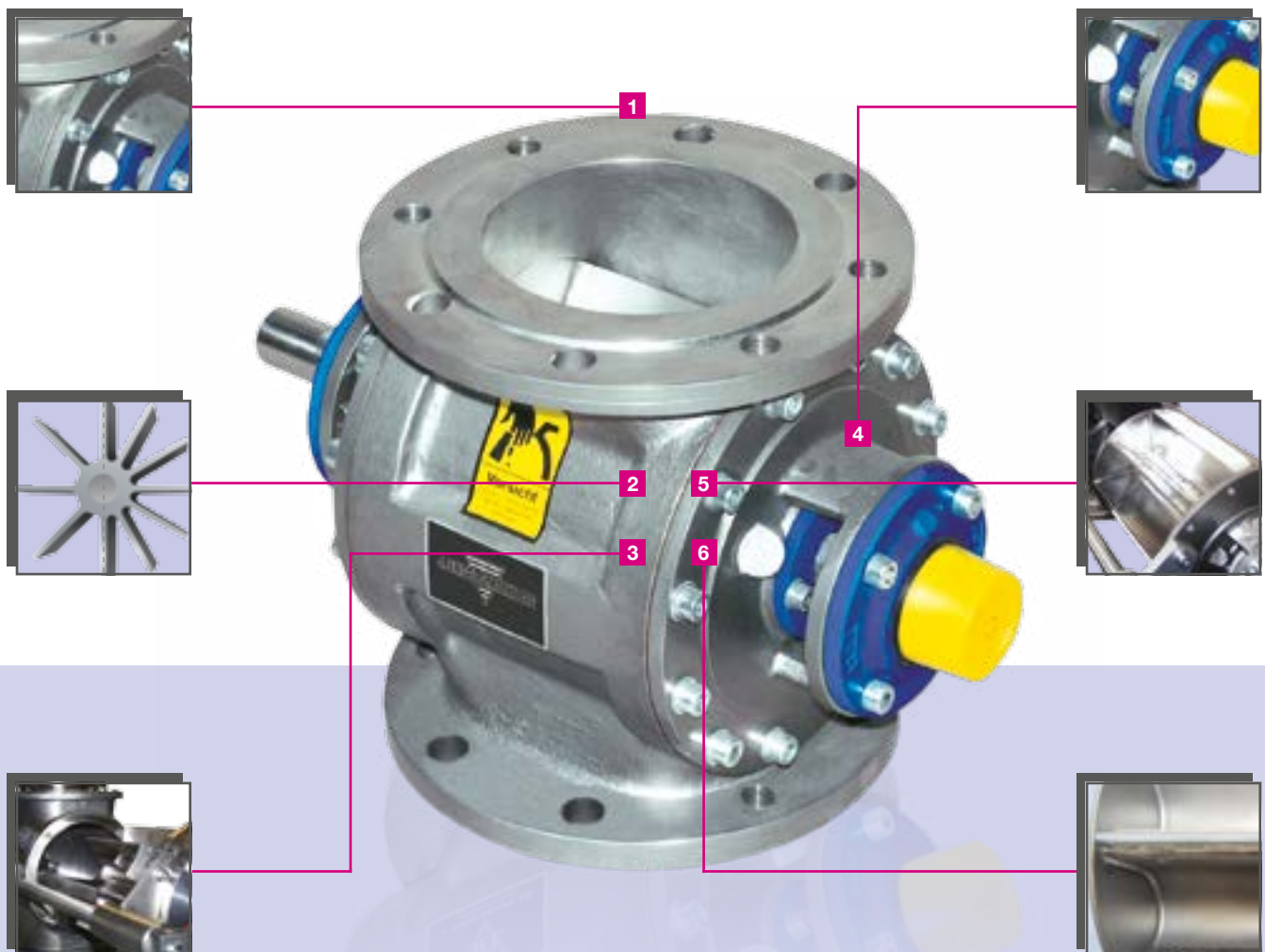
► Bulk solids

Grainy	Powdery	Finely powdered	Fatty	Granular
•	•	•	•*	•

► Application processes

Discharging	Metering	Conveying	Protective system
•	•	•	•**

*only with special rotary valve/special version **available in the ZDS version on request



- 1** Robust design
- 2** Rotary wheel available with 8 or 12 chambers

- 3** Extractor device available for easy dismounting
- 4** Fast replacement of parts, low-maintenance construction

- 5** Easy cleaning
- 6** Rotary wheel optionally available with scrapers

Rotary Valves

► Design

- ATEX version available
- ZDS version with ignition prevention system, may also be used as protective system
- Differential pressures of up to 1 bar possible
- High-temperature version up to approx. 600°C available as an option
- Product-specific sealing versions and modifications possible (e.g. scrapers)

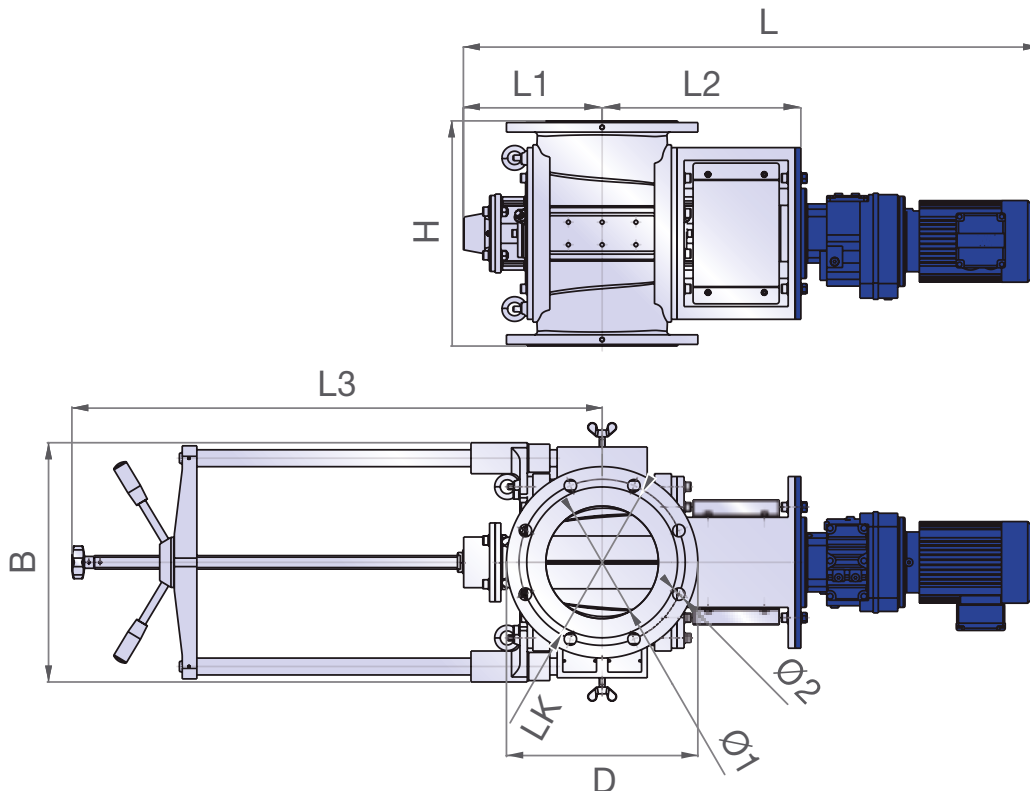
► Technical details

Type	H (mm)	B (mm)	L (mm)	L1 (mm)	L2 (mm)	L3 (mm)	D (mm)	Ø1 (mm)	Ø2 (mm)	LK (mm)	Conveying rate (l/U)	Weight (kg)
S-150 DN100	240	–	*	185	250	–	220	100	18	180	1.2	40–45
S-200 DN150	300	425	*	210	285	**	285	150	22	240	3	60–70
S-250 DN200	400	425	*	247	353	942	340	200	22	295	8	90–110
S-250 DN250	400	425	*	272	378	967	395	250	22	350	11	100–120
S-350 DN300	550	620	*	375	536	1076	445	310	22	400	20	210–240

*depending on motor type **on request

Convincing facts

- ✓ Overall design in accordance with industrial standards
- ✓ User-friendly and low-maintenance equipment
- ✓ Compact and robust construction
- ✓ Can be used in explosive areas
- ✓ External antifriction bearings with clearance towards the housing
- ✓ Gentle product treatment during operation



► Your contact person

Do you still have questions or would you like a non-binding price quotation? Then simply contact our team of experts.



Jürgen Weintz

Metering technology
 Phone +49(0)621 59002-48
 Fax +49(0)621 59002-550
 weintz@engelsmann.de

J. Engelsmann AG

Frankenthaler Str. 137-141
 D-67059 Ludwigshafen
 info@engelsmann.de
 www.engelsmann.com



Information JEL rotary valve