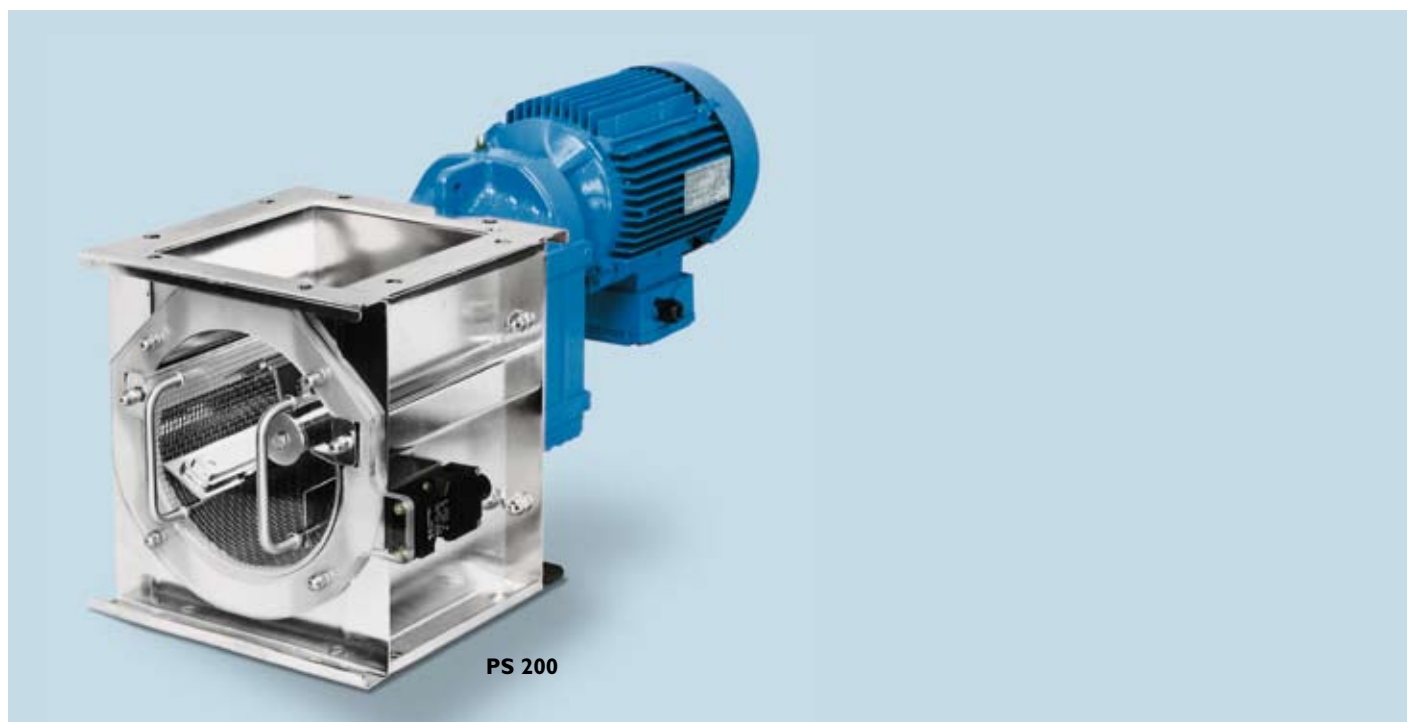


Centrifugal Screening Machine Type PS



PS 200

Range of Application

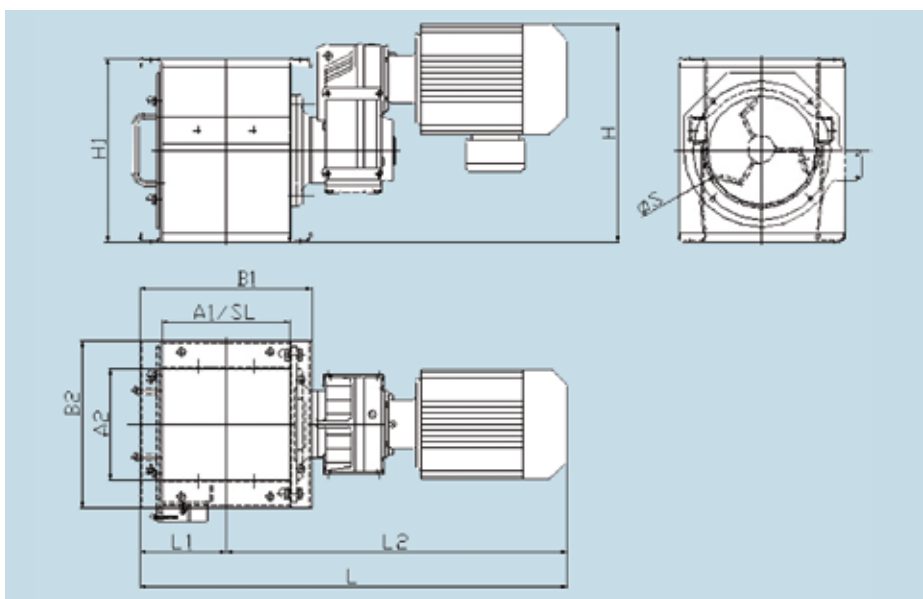
As a control screening machine for normally pourable bulk goods or for straining of products free of oversizes, also usable as a straining sieve for agglomerated products. Due to its versatility this screening machine can be used in the chemical, pharmaceutical, food and plastics industries.

Operation

The screening, straining or crushing process is discontinuous. The product is fed on top, taken by the rotor and strained through the sieve fabric. The sieve basket is executed as a semi-bowl and can be drawn out easily on the front side for cleaning purposes. The machine is driven by a shaft-mounted gear motor.

Advantages

- standard execution of the machine in stainless steel (pharmaceutical execution as an option)
- optimal adjustment of the speed and of the straining ledges to the corresponding product
- quick and simple exchanging of the sieve cylinder
- standardized sieve semi-bowls
- easy to clean
- compact design
- favourable price/efficiency ratio
- optional with ATEX conformity acc. to regulation 94/9 EG



Dimensions

Type	A1	A2	B	B1	H	H1	L	L1	L2	ØS	SL
PS 200	230	200	310	300	392	330	770	155	615	200	230
PS 300	345	300	425	400	518	495	942	212	730	300	345

Technische Daten

Type	Article No.	Screening surface m ²	Weight kg	Power kW	Speed min ⁻¹	Voltage V	Frequency Hz
PS 200	04 13 6100 0005	0.07	65	2.2	80	230/400	50
PS 300	04 13 6100 0031	0.16	80	3.0	54	230/400	50

Gear Motors